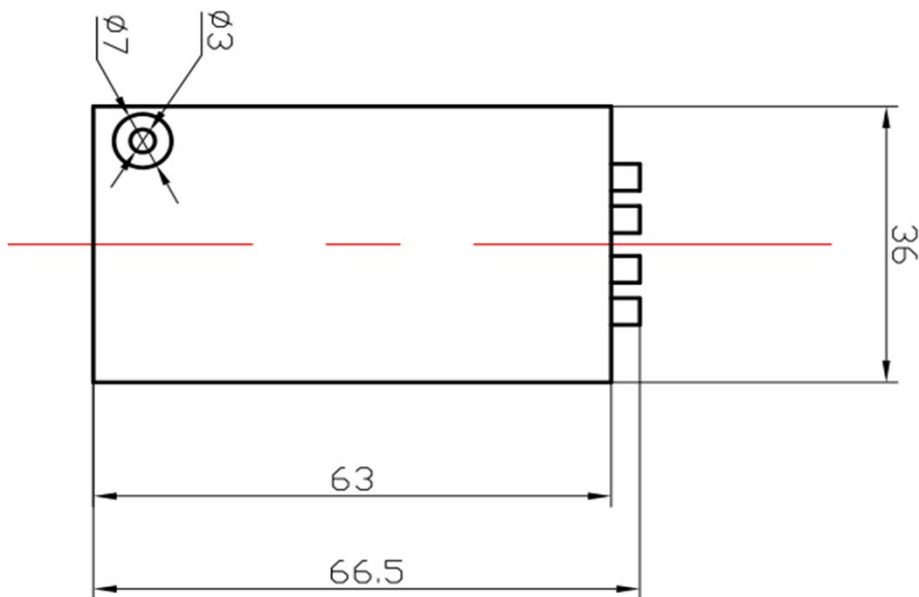
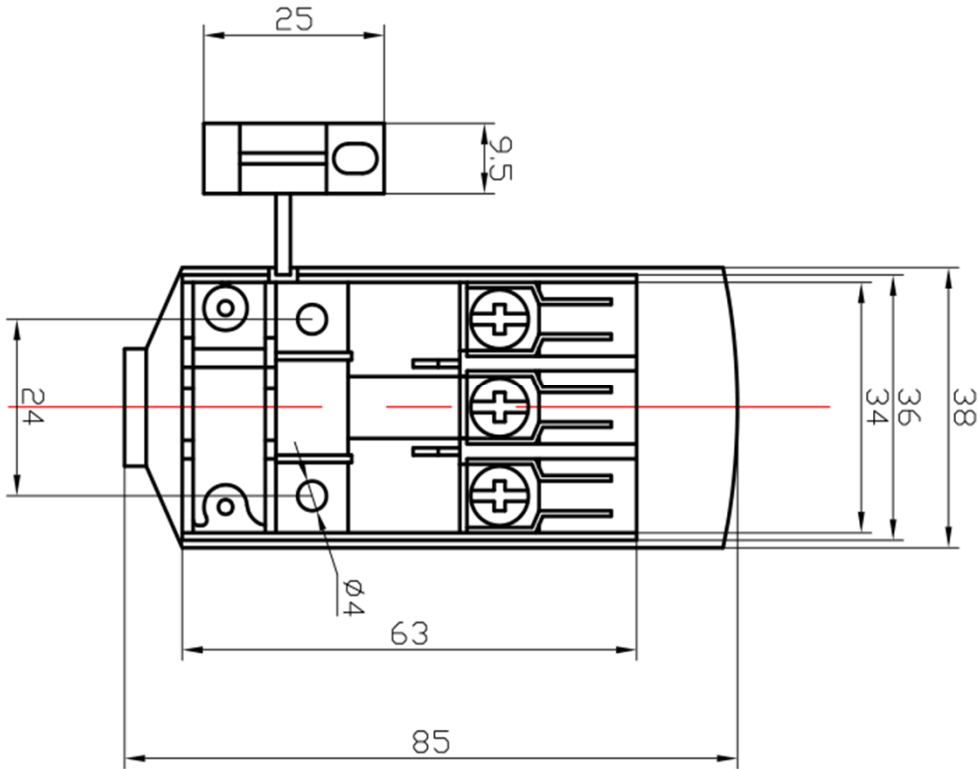


Technical data:
 Rated insulation voltage: 400V
 Rated current: 16A
 Rated connecting capacity: 2.5mm²
 Rated ambient temperature: 125 degree
 Model No.: BL503
 Metal Parts: Q235-a Iron, surface plating Zinc.
 Note: this terminal is only designed for flexible cable
 IP: IP30



| | | | | | | |
|-----------|------------|---|------|--------------------|---------------------------------------|-------|
| file no. | BONLE0631 | | Date | terminal block 40A | Bonle(Fuzhou) International Co., LTD. | |
| Date | 2019.12.17 | 1 | | material | No. | BL503 |
| Design | Zheng wei | 2 | | | | |
| tolerance | | 3 | | Nylon | | |
| scale | | 4 | | | | |
| checher | HUANG | 5 | | | | |