

Technical data:

Rated insulation voltage: 400V

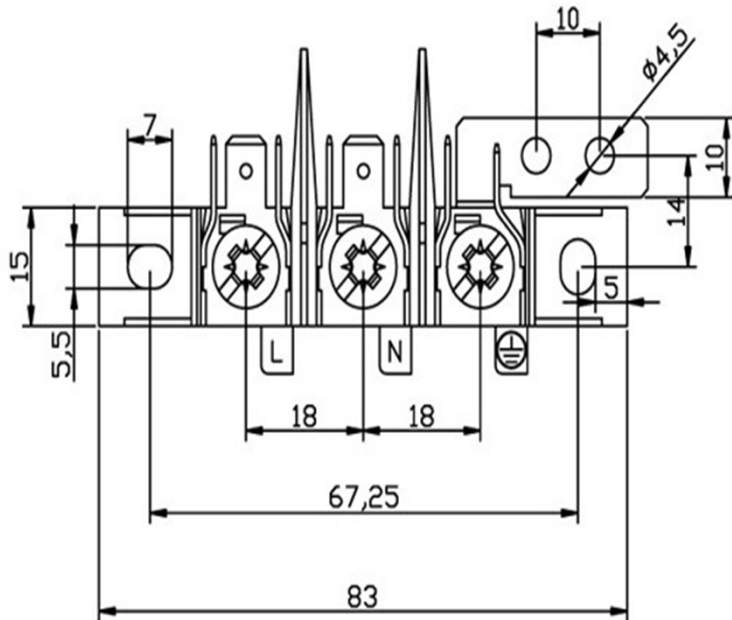
Rated current: 40A

Rated connecting capacity: 6.0mm²

Rated ambient temperature: 110 drgee

Model No.: BL40A/3W with earthing

Note: this terminal is only designed for flexible cable



file no.	BONLE1025	Date	terminal	Bonle (Fuzhou)	
Date	2010.4.28	1	block 40A	International Co., LTD.	
Design	Huang	2	material	No.	BL40A/3W
tolerance		3			
scale		4	Nylon		
checher	Lin	5			