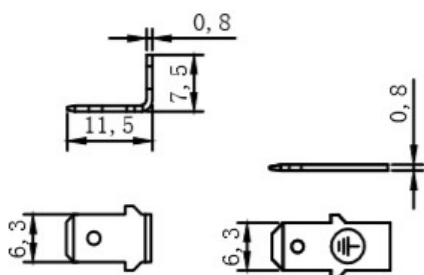
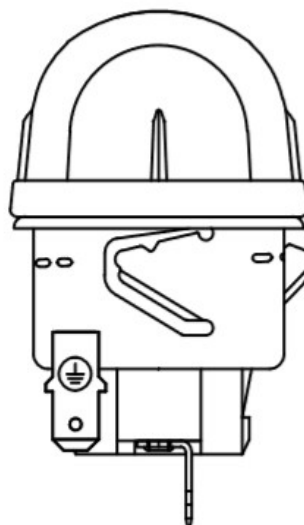
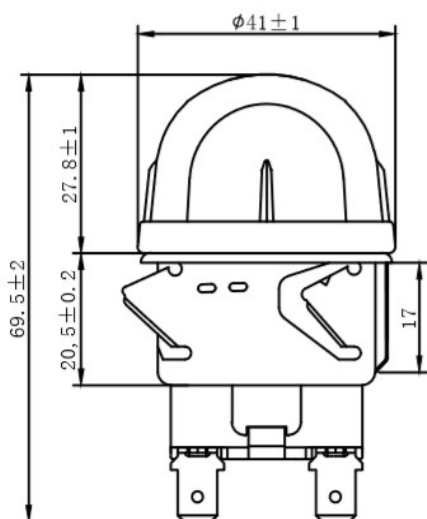
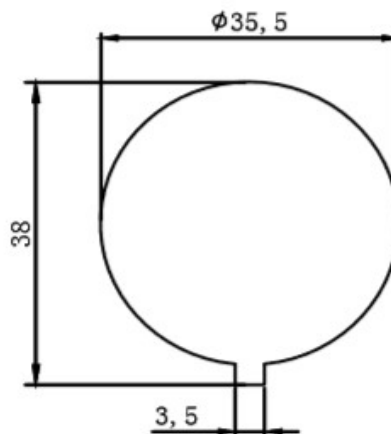
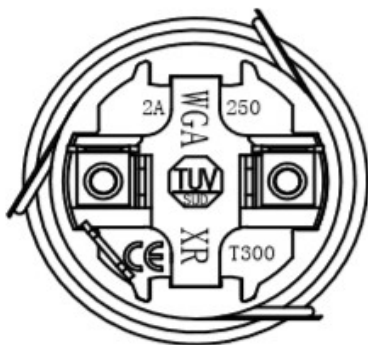




Technical data:
 lampholder: E14,25W or 18W,250V,2A
 lampholder material:ceramic
 Temperature rating of bulbs:300°Cmax
 Model No.:BC2048-G9



Terminale di terra 6.3×0.8
 Ground terminal 6.3×0.8

file no.	BONLE09126	Date	Oven lampholder	BONLE (FUZHOU) INTERNATIONAL CO.,LTD.	
Date	2016.1.10	1	material	No.	BC2048-G9
Design	Huang	2	ceramic		
tolerance		3			
scale		4			
checher	Lin	5			