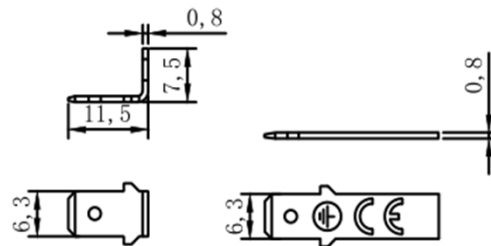
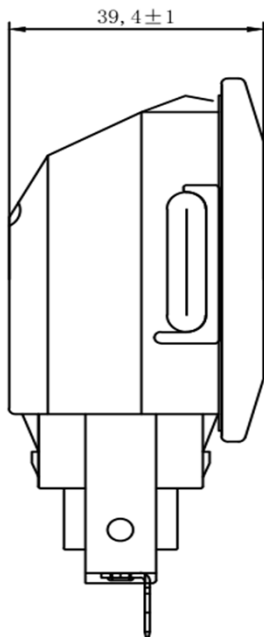
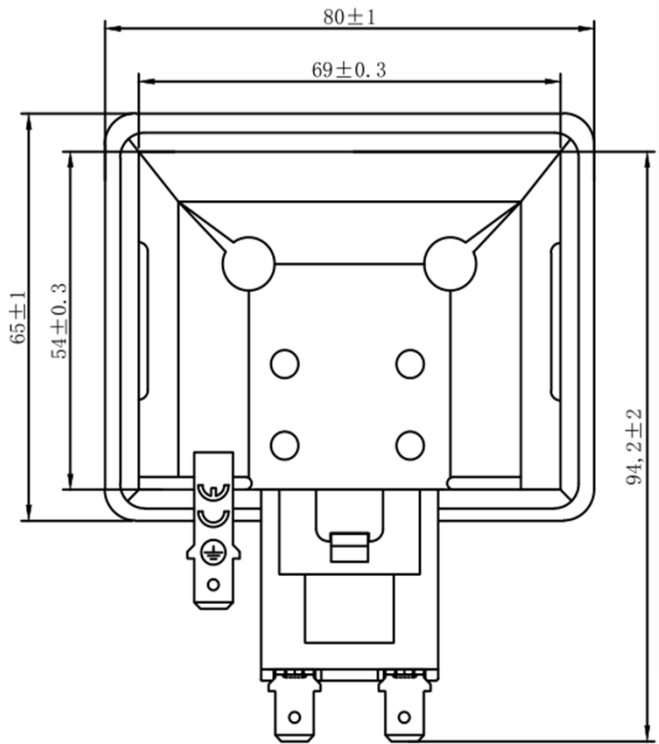
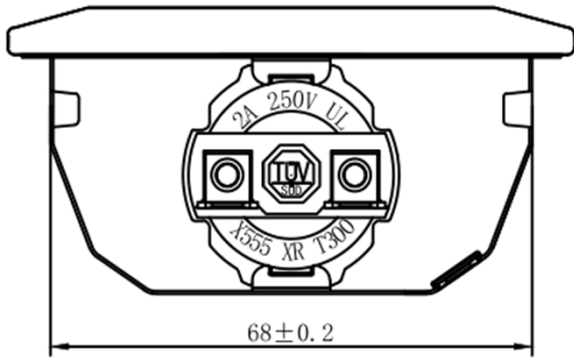
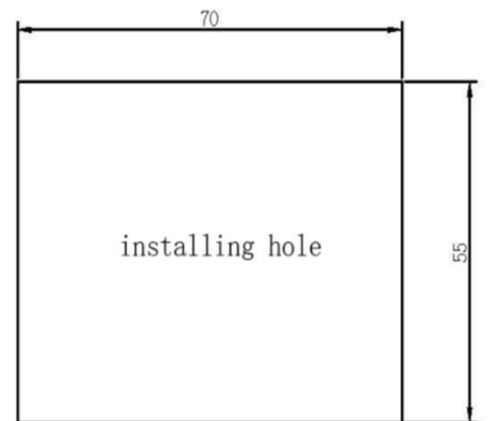




Technical data:
 lampholder: E14,15W 250V,2A
 lampholder material:cermamic
 Temperature rating of bulbs:300°Cmax
 Model No.: BC2048-705V



Terminale di terra 6.3×0.8
 Ground terminal 6.3×0.8



| | | | | | | |
|-----------|------------|---|------|-----------------|---------------------------------------|-------------|
| file no. | BONLE09123 | | Date | Oven lampholder | BONLE (FUZHOU) INTERNATIONAL CO.,LTD. | |
| Date | 2017.11.2 | 1 | | material | No. | BC2048-705V |
| Design | Huang | 2 | | ceramic | | |
| tolerance | | 3 | | | | |
| scale | | 4 | | | | |
| checher | Lin | 5 | | | | |